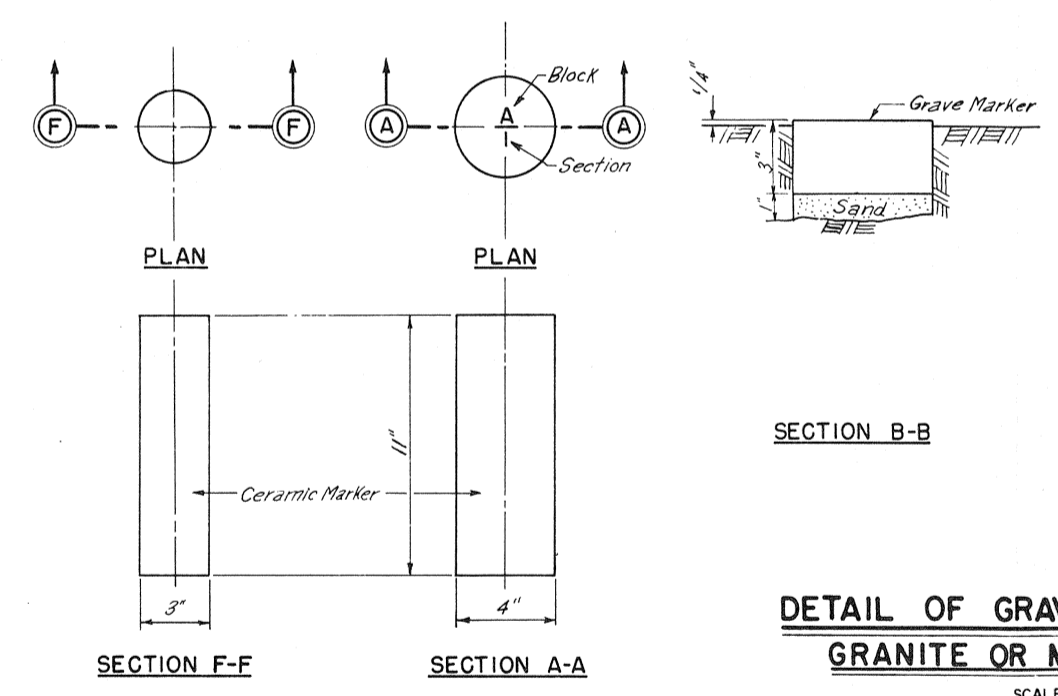
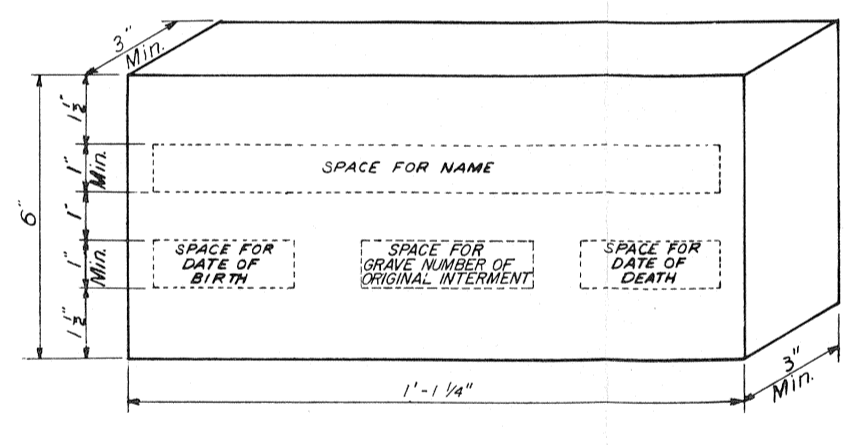


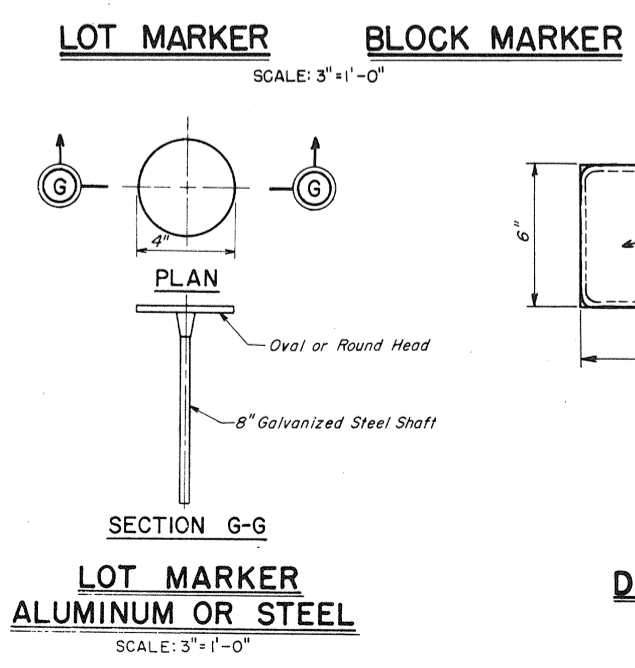
WOODEN BOX DETAILS
SCALE: 1" = 1'-0"



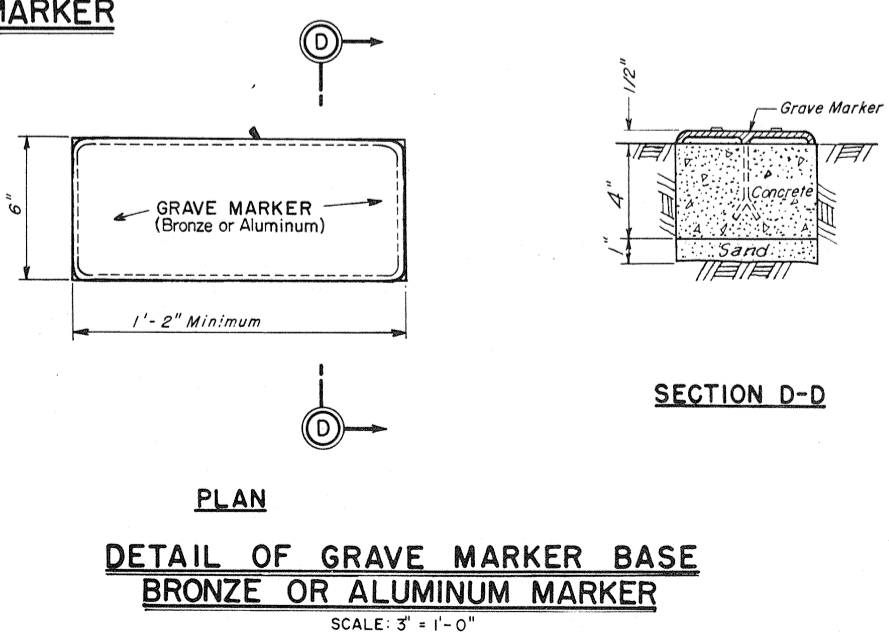
**DETAIL OF GRAVE MARKER BASE
GRANITE OR MARBLE MARKER**
SCALE: 3" = 1'-0"



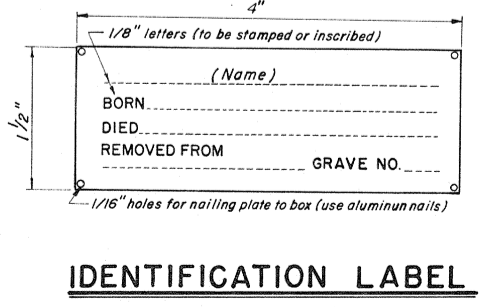
**GRAVE MARKER
GRANITE OR MARBLE**
SCALE: 1/2" = 0'-1"



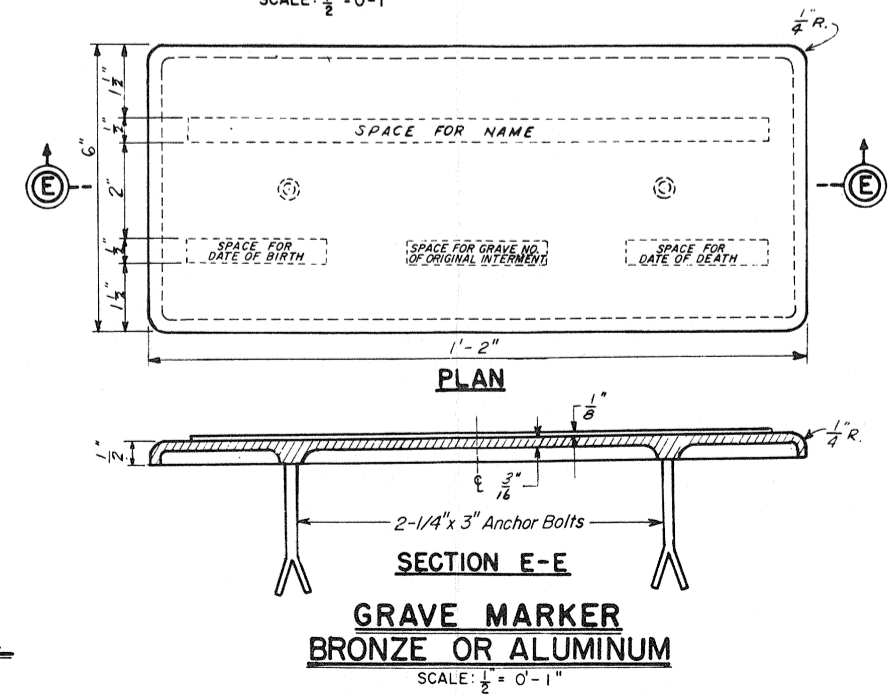
**LOT MARKER
ALUMINUM OR STEEL**
SCALE: 3" = 1'-0"



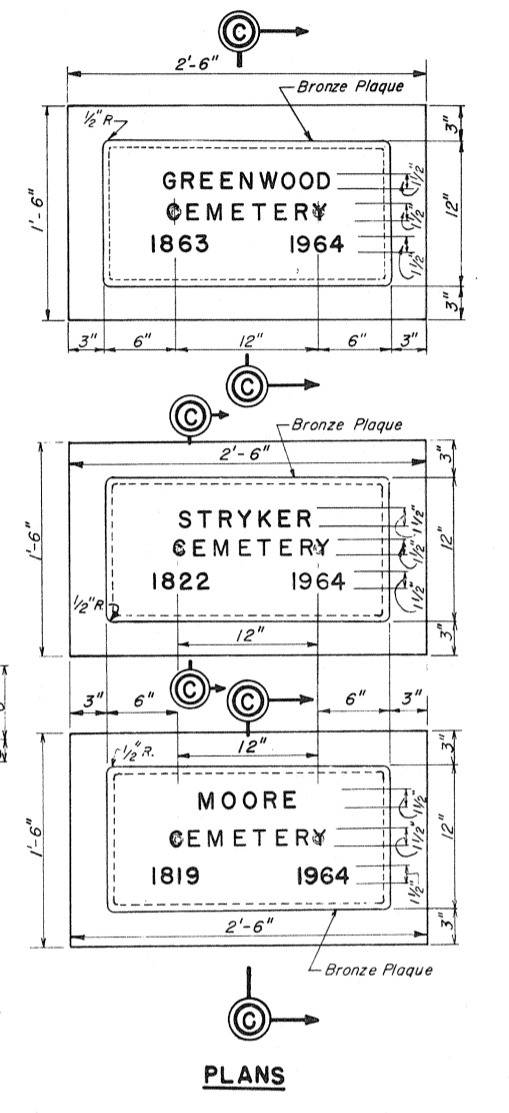
**DETAIL OF GRAVE MARKER BASE
BRONZE OR ALUMINUM MARKER**
SCALE: 3" = 1'-0"



IDENTIFICATION LABEL



**GRAVE MARKER
BRONZE OR ALUMINUM**
SCALE: 1/2" = 0'-1"



CEMETERY IDENTIFICATION PLAQUE
SCALE: 1/2" = 1'-0"

NOTE: THIS IS A HALF SCALE REPRODUCTION OF THE ORIGINAL DRAWING.

REVISION	DATE	DESCRIPTION	BY

GRAPHIC SCALE: 1" = 1'-0"

U. S. ARMY ENGINEER DISTRICT, PITTSBURGH
CORPS OF ENGINEERS
OFFICE OF THE DISTRICT ENGINEER
PITTSBURGH, PENNSYLVANIA

PREPARED BY: F. D.
DRAWN BY: R. W. & L. S.
CHECKED BY: F. D.
SUBMITTED BY: *[Signature]*
CHIEF, RELOCATION BRANCH
APPROVED: *[Signature]* DATE: 9 OCTOBER 1963
COLONEL, CORPS OF ENGINEERS, DISTRICT ENGINEER

ALLEGHENY RESERVOIR
ALLEGHENY RIVER
CEMETERY RELOCATIONS
MISCELLANEOUS DETAILS

SCALE: AS SHOWN SPEC. NO.:
DRAWING NUMBER: 038-UI-69/89
SHEET 9 OF 9